



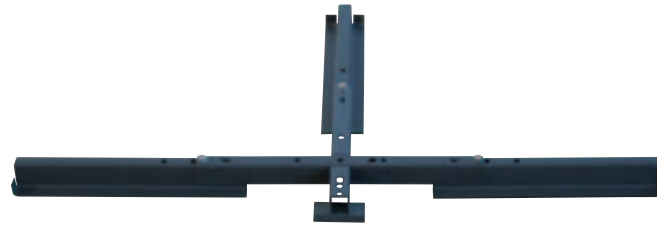
BASI



COD. GBASE004200

### GRUPPO BASE ALU 3 H120 S/ ST C/PIED

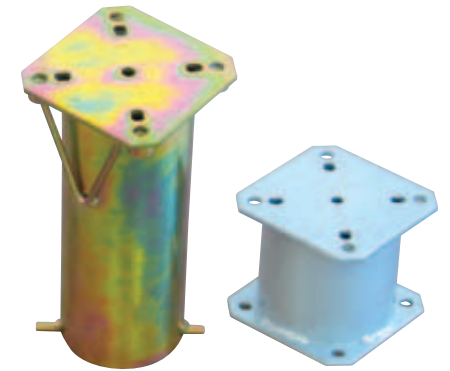
Free-standing base made of powder-coated aluminium. Requires concrete pavers 50x50 cm.



COD. GBASE001500

### GRUPPO BASE FE A3

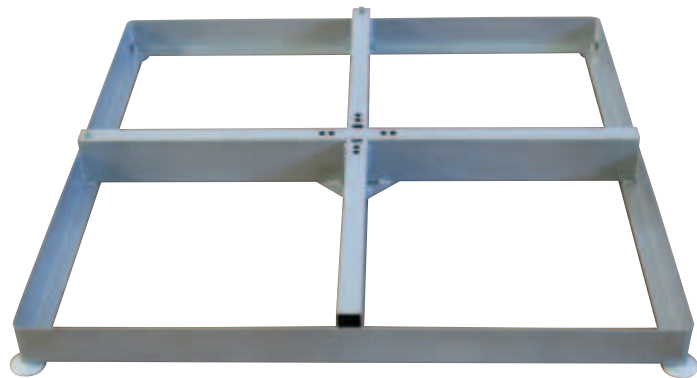
Free-standing base made of powder-coated steel. Requires concrete pavers 50x50 cm.



COD. GBASE000900

### GRUPPO BASE STYLO UNIV + PR

Galvanized steel base to be set into concrete.



COD. GBASE003700

### GRUPPO BASE P ALU 4 80x80

Powder coated aluminium base. Requires concrete pavers 40x40 cm. Optional wheels.



COD. GRUOT000100

### GRUPPO KIT RUOTE D50 X BASE P ALU 4 80X80

COLOURS



### **Solution dyed Acrylic fabric**

Designed for outdoor use, the solution (spun) dyed acrylic fabric resists salt water, chlorine and any type of harsh climate. Colours do not bleed and remain vibrant for a long time. A specific treatment makes the fabric water repellent, mould resistant and protects it from staining. This type of fabric resists the most extreme conditions and is suitable for year-round use in gardens, terraces, pool sides or on-board boats. It's definitely the top choice canopy fabric to select for your Product.  
UPF 50+ (UV Protection Factor) 280 gr/m<sup>2</sup>.

### **Olefin fabric**

Polypropylene solution (spun) dyed fabric, which guarantees stability and long-lasting colours. 100% recyclable, water repellent and stain-resistant.  
UPF 80 (UV Protection Factor) 190 gr/m<sup>2</sup>.





*Solution dyed Acrylic Fabric*



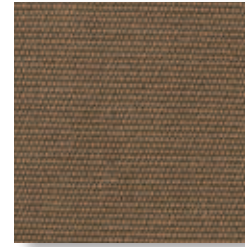
S00 Natural  
5404



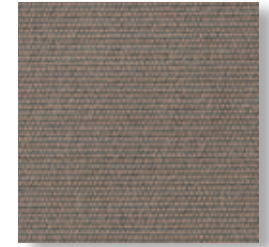
S01 Canvas  
5453



S03 Heather Beige  
5476



S15 Cocoa  
5425



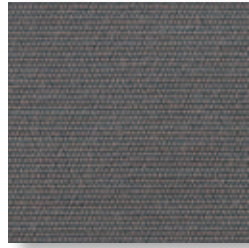
S04 Taupe  
3729



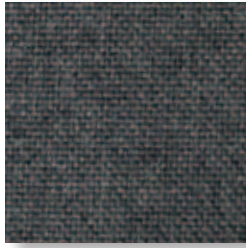
S10 Walnut  
5470



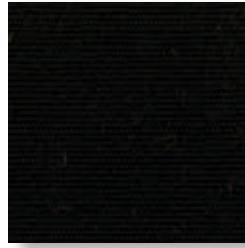
S16 Shingles  
3706



S18 Gray  
3737



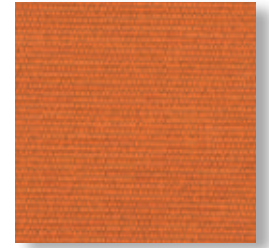
N01 Sooty  
10030



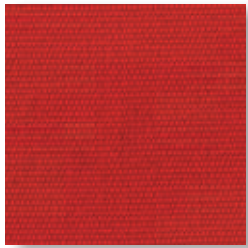
S13 Black  
5408



S21 Sunflower  
5457



S11 Tuscany  
5417



S14 Logo Red  
5477



S19 Clay Court  
3744



S06 Macao  
3738



S07 Forest Green  
5446



S05 Mineral Blue  
5420



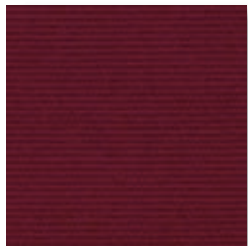
S09 Navy Blue  
5439



S24 Narval  
3763



S28 Parma  
3761



S29 Burgundy  
5436



Olefin fabric



F01 Cream  
2736



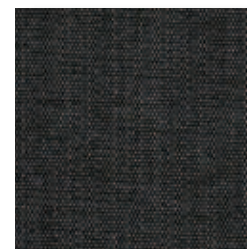
F02 Gold  
2062



F03 Orange  
2735



F04 Silver  
2631



F00 Melange  
4202

*The colors may differ from the real ones.*

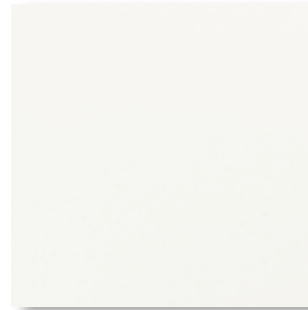
FINISHES



# Frame finishes








GRAF



BIAN

*The materials used have been specifically selected and treated to maintain our products durability and consistency over time.  
The colors may differ from the real ones.*

# TECHNICAL FEATURES

| PRODUCT | SIZE (cm)      |                | TECHNICAL FEATURES |   |   |   |   |   |
|---------|----------------|----------------|--------------------|---|---|---|---|---|
|         | 260x260        | 200x300        | STRUCTURE          |  |  |  |  |  |
| RIO     | •              | •              | Aluminium graphite | •   | •   | •   | •   | 120 kg  |
| COD.    | RIO#260260AG00 | RIO#200300AG00 |                    |   |   |   |   |   |
| RIO     | •              | •              | Aluminium white    | •   | •   | •   | •   | 120 kg  |
| COD.    | RIO#260260AB00 | RIO#200300AB00 |                    |   |   |   |   |   |

# SIMBOLS TABLE



Pulley opening.



Rotation of the umbrella around the base.



Ribs can be changed without dismantling the frame.

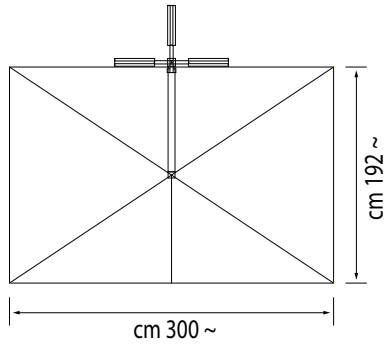


Closes above the tables.

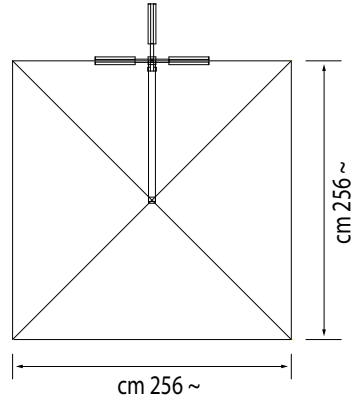


Minimum required base weight.

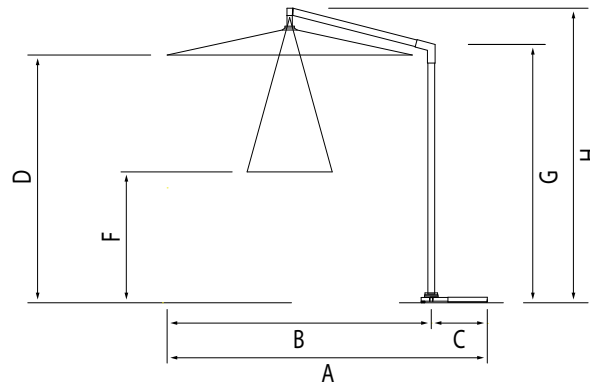
RIO 200x300



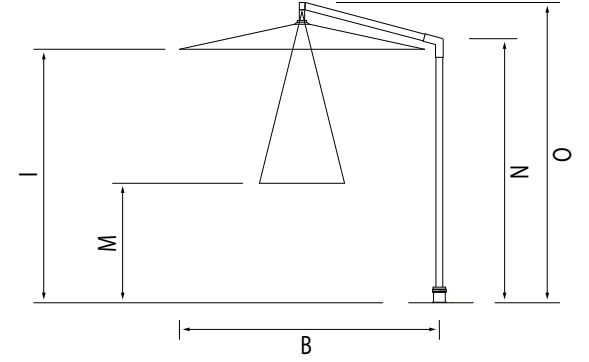
RIO 260x260



RIO BASE FERRO SMONTABILE



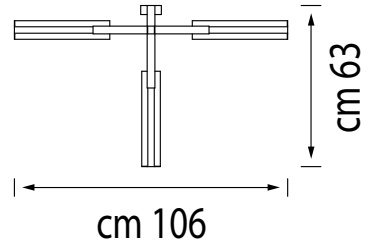
RIO BASE STYLO



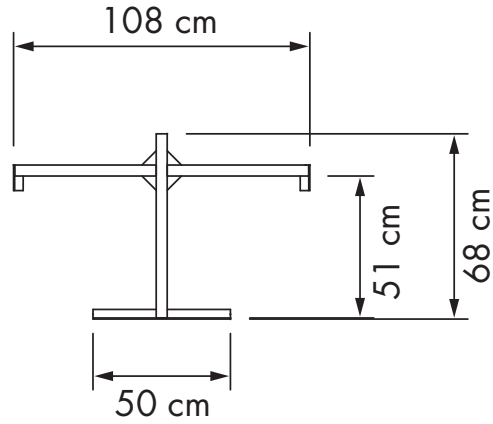
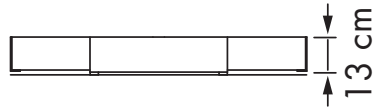
RIO MEASURE TABLE

| SIZE (cm) | A   | B   | C  | D   | F  | G   | H   | I   | M  | N   | O   |
|-----------|-----|-----|----|-----|----|-----|-----|-----|----|-----|-----|
| 200x300   | 254 | 201 | 53 | 226 | 80 | 242 | 276 | 232 | 86 | 248 | 282 |
| 260x260   | 310 | 259 | 53 | 226 | 80 | 242 | 276 | 232 | 86 | 248 | 282 |

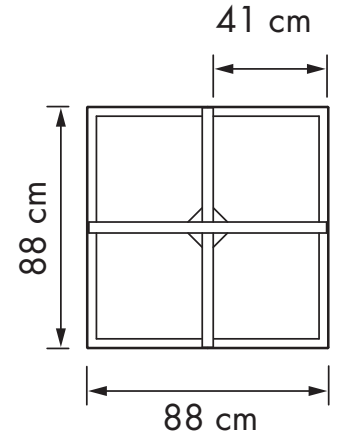
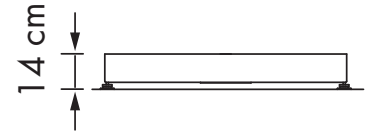
GBASE001500



GBASE004200



GBASE003700



GBASE000900

