

MONTECARLO

Montecarlo represents a prestigious, classic solution, thanks to its fine wood framework treated with a protective coating.

Ideal for both residential use (villas, private gardens) and for commercial use (hotels, restaurants...).

Its telescopic opening-closing system with crank handle does not require shifting the underlying tables and chairs.

The ribs can be replaced individually without needing to disassemble the entire structure and the canopy fabric is easily removed for maintenance or replacement. Steel hardware.

Montecarlo can be supplied with a free-standing base or in-ground mount.

All FIM products are designed and made in Italy, using the best materials for outdoor use, in order to guarantee exceptional durability even under the most demanding environmental conditions.





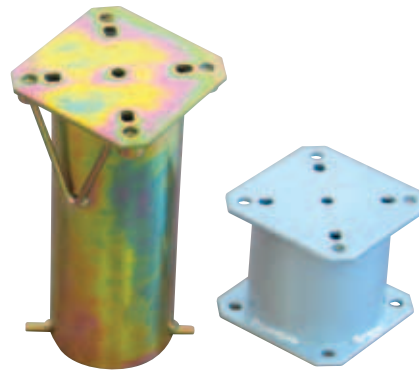
B A S I



COD. GBASE001100

GRUPPO BASE MONTECARLO

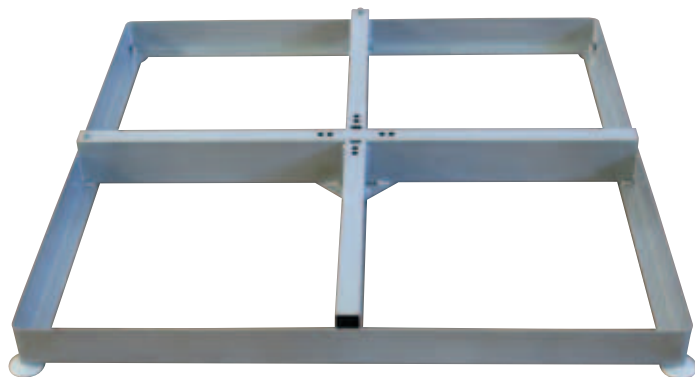
Free-standing base made of powder-coated steel. Requires concrete pavers 50x50 cm.



COD. GBASE000900

GRUPPO BASE STYLO UNIV + PR

Galvanized steel base to be set into concrete.



COD. GBASE003700

GRUPPO BASE P ALU 4 80x80





Powder coated aluminium base. Requires concrete pavers 40x40 cm. Optional wheels.



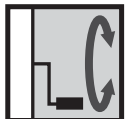
COD. GRUOT000100

GRUPPO KIT RUOTE D50 X BASE P ALU 4 80X80

TECHNICAL FEATURES

PRODUCT	SIZE (cm)		TECHNICAL FEATURES				
	400x400	Ø 500	STRUCTURE				
MONTECARLO	•	•	Wood	•	•	•	150 kg
COD.	MON#400400WG00	MON#000500WG00					

SIMBOLS TABLE



Winch opening.



Ribs can be changed without dismantling the frame.

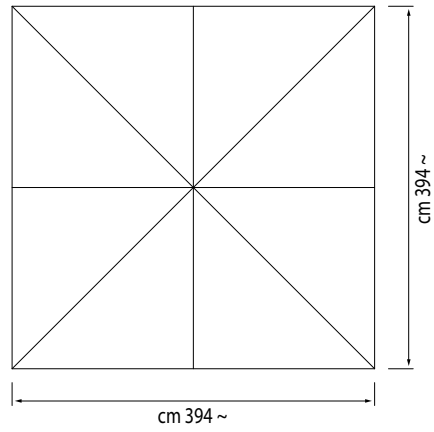


Telescopic system.

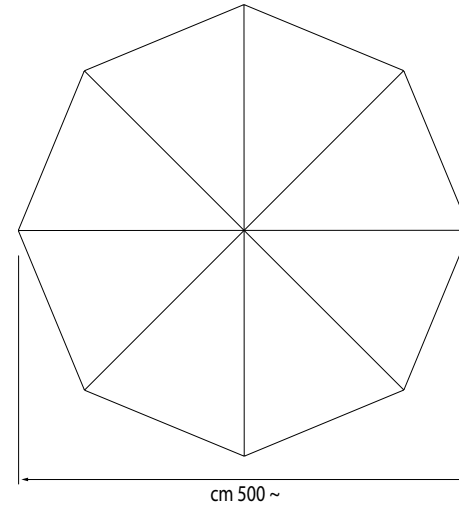


Minimum required base weight.

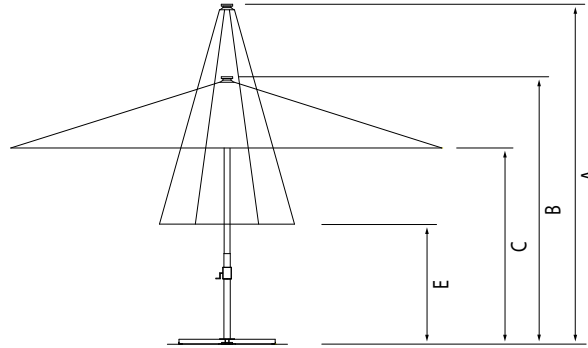
MONTECARLO 400x400



MONTECARLO D 500

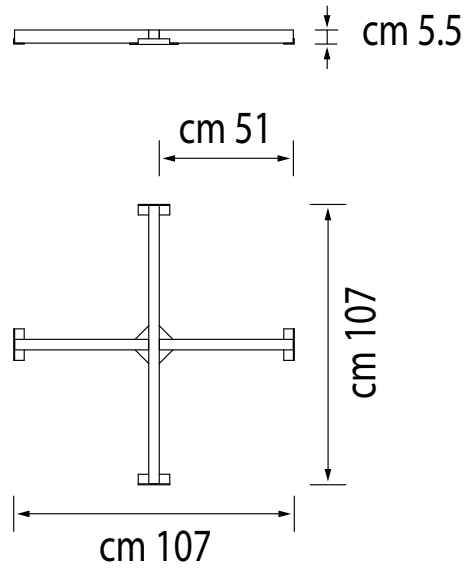


MONTECARLO C/BASE

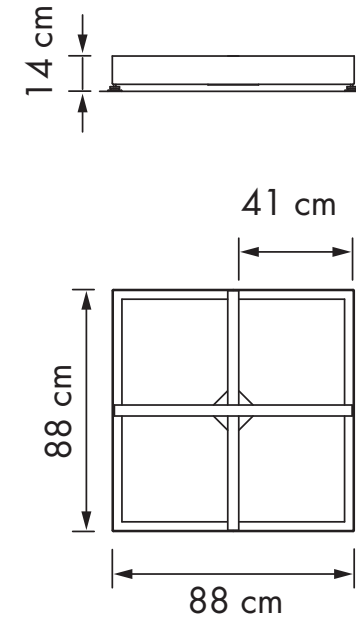


MONTECARLO MEASURE TABLE				
SIZE (cm)	A	B	C	E
400x400	375	300	220	155
D 500	400	300	220	170

GBASE001100



GBASE003700



GBASE000900

