





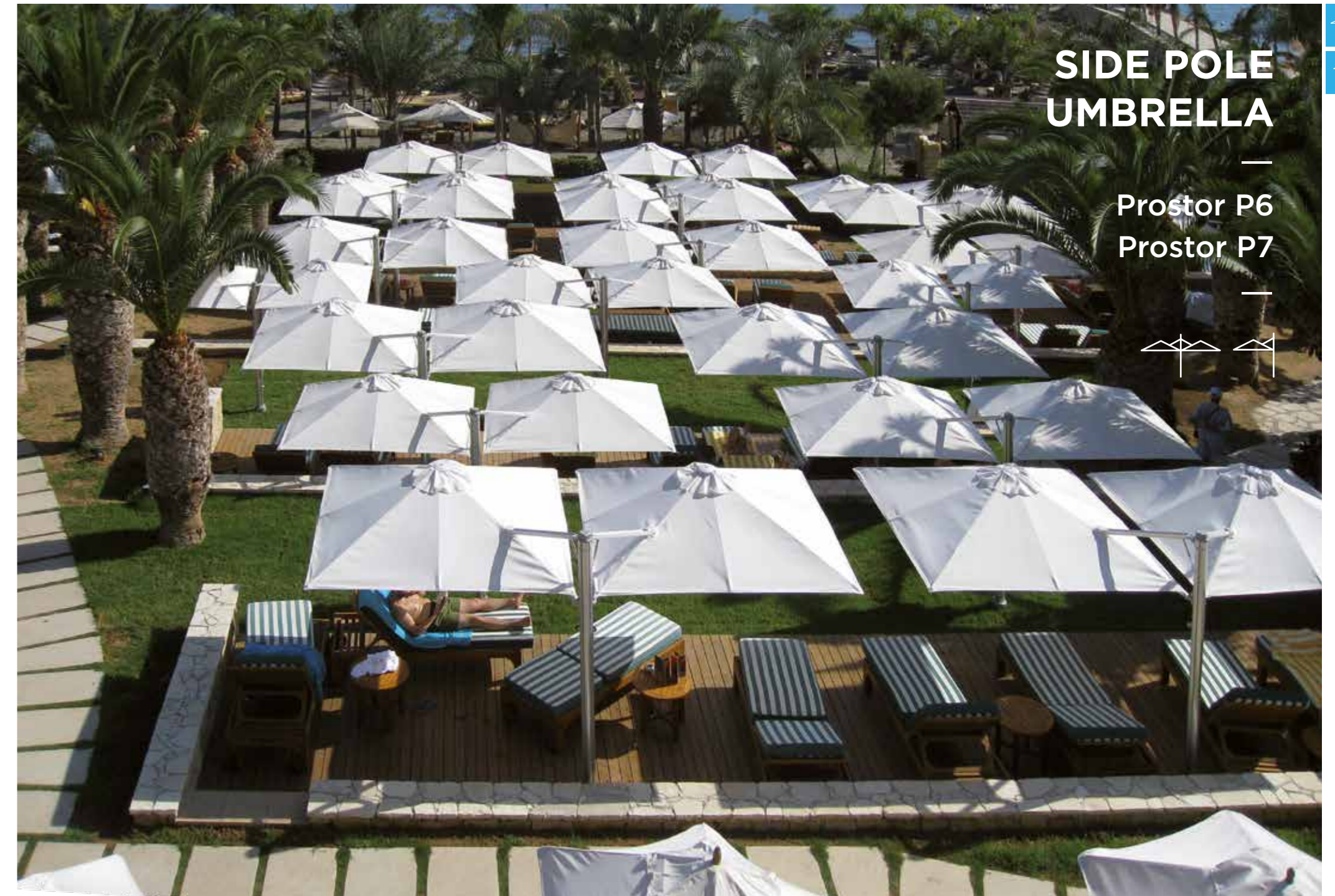


TABLE OF CONTENT

	Table of Content	2
	Side Pole Umbrella Prostor P6 – Prostor P7	3-18
	Telescopic Arm Umbrella Prostor P3 - Prostor P4	19-22
	Center Pole Umbrella Prostor P50	23-24
	Windscreen Prostor Windblocker	25-27
	Pergola Prostor Cabana	28-31
	Gallery Hospitality & Cities Pools & Private Specials & Accessories	32 33 34
	The Company	35





PROSTOR P6

Side Pole Umbrella



Up to 4 umbrellas
 Multi pole
 Patented 'One Move System'
 Manual or motorized operation
 Offers up to 38 m² of sheer shade pleasure

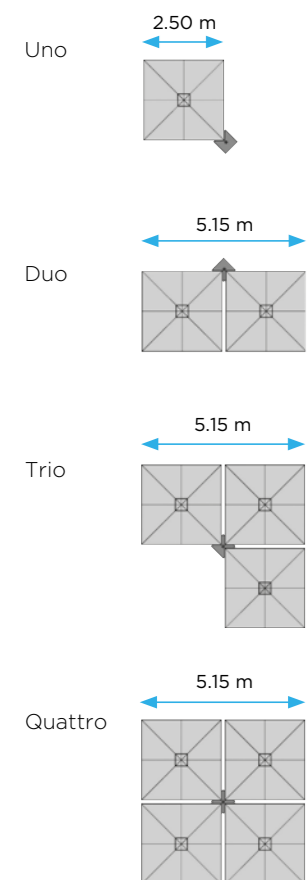
ONE MOVE SYSTEM > PAGE 12
 COLOURS > PAGE 14-15
 ACCESSORIES > PAGE 16-18



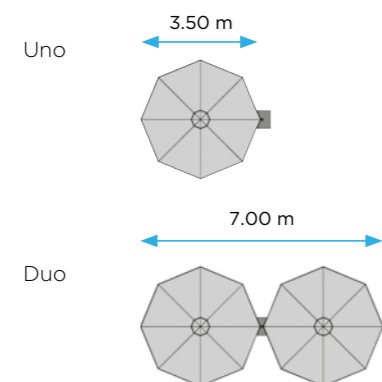
Specifications

Make your place in the shade according to your needs and desires

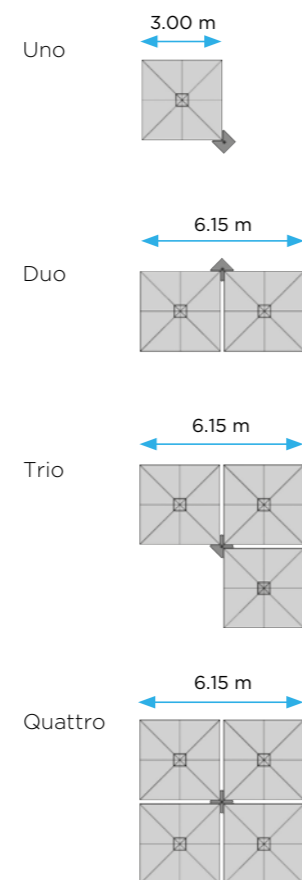
SQR



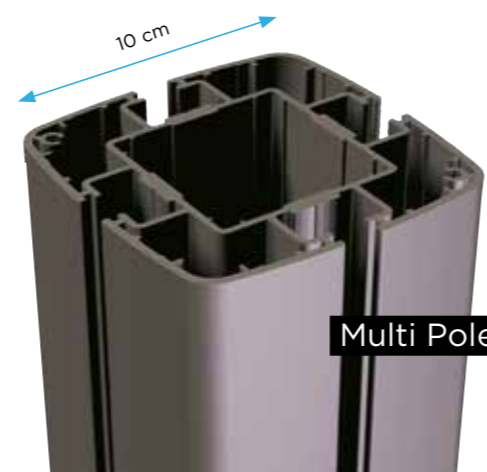
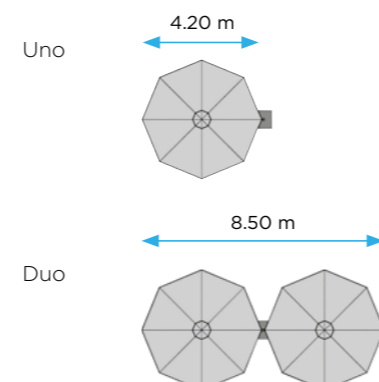
RND



SQR XL



RND XL



Product video

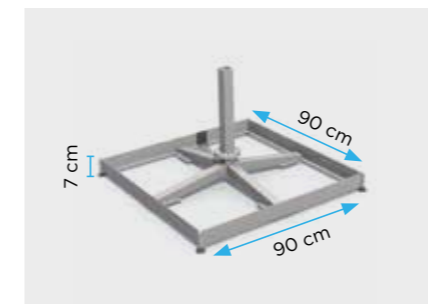
Curious for more? Scan the QR code to view the product video on your smartphone or go to www.prostor.be.



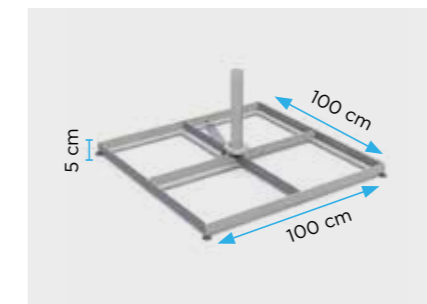
Fixation

Ground anchor or wall bracket, choose the fixation depending on your garden or patio

GROUND



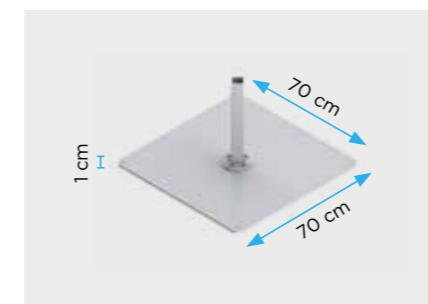
Steel base
 With 8 tiles: 130 kg
 With 12 tiles: 185 kg
 Not suitable for the XL version
 Does not include tiles



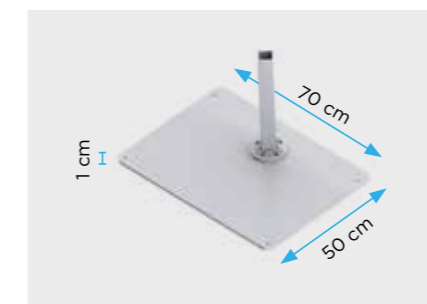
Steel base
 With 4 tiles: 115 kg
 With 8 tiles: 215 kg
 Does not include tiles



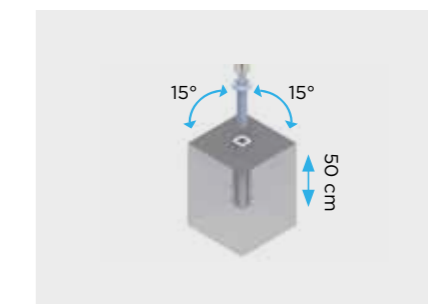
Stylish cover for steel base.



Floorplate must be chemical anchored.
 Weight: 38 kg

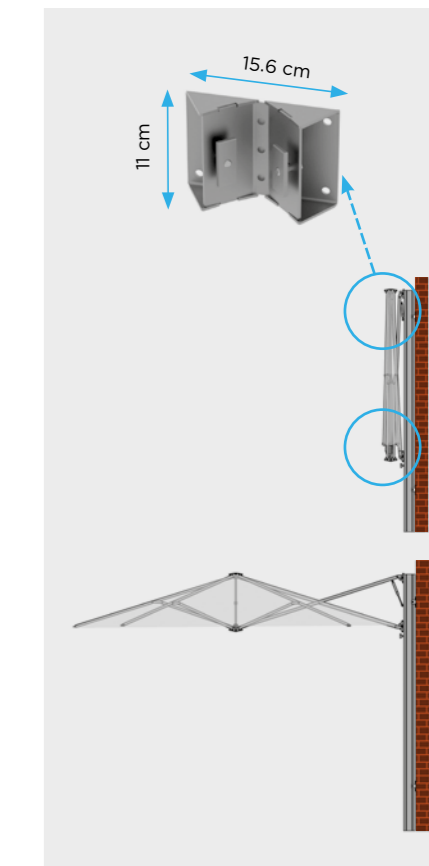


Floorplate must be chemical anchored.
 Weight: 30 kg

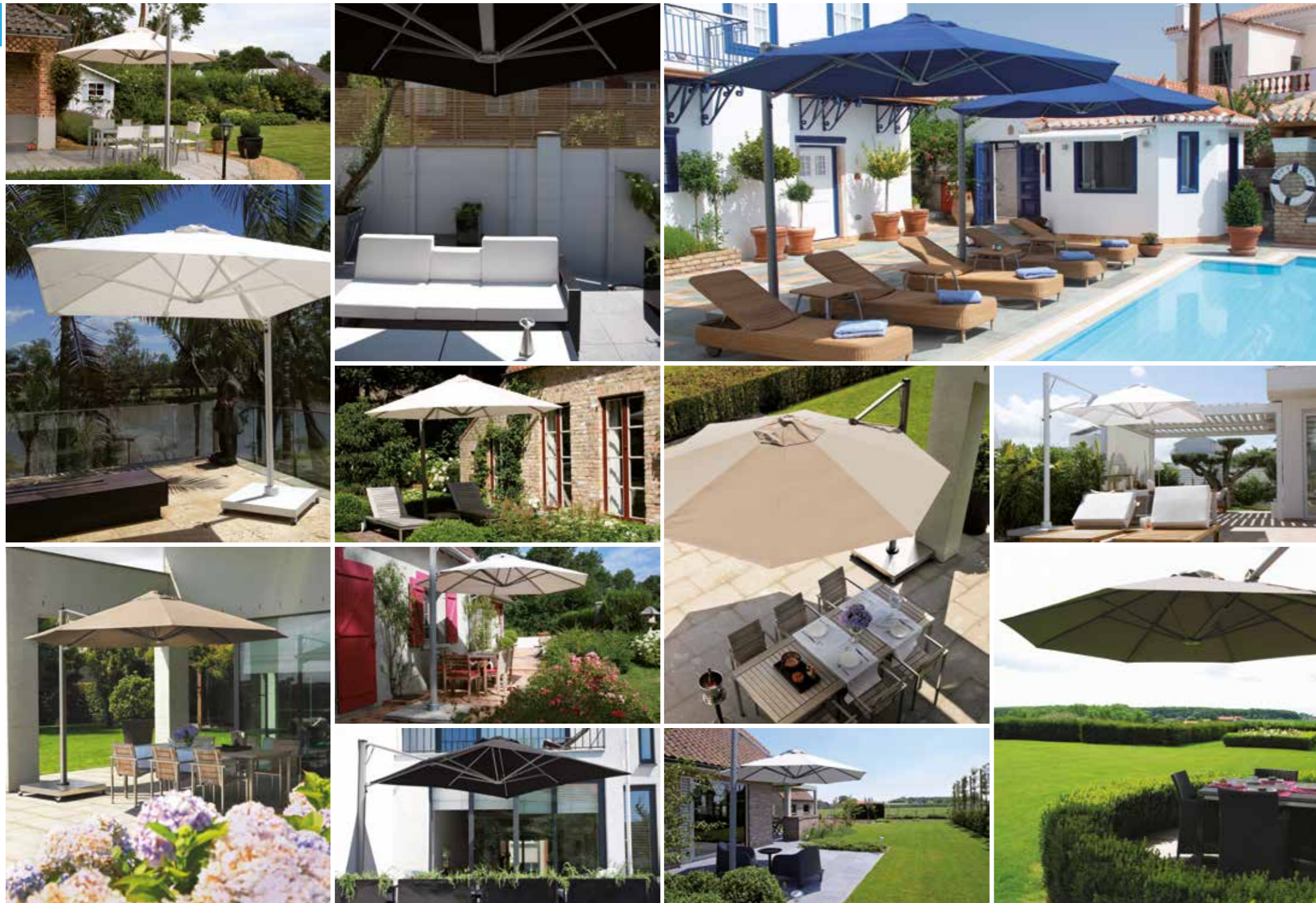


Adjustable ground anchor.
 Recommended to align multiple sets of P6, it gives you up to 15° tolerance to the left and right.

WALL



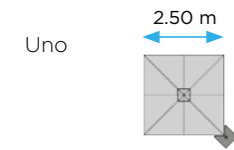
Easy to install wall brackets, delivered per 2 pieces. Only for square P6 Uno or P6 Duo. In non-painted galvanized steel. More info: see p. 13



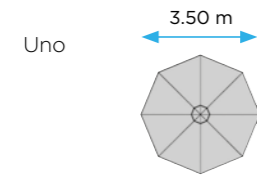
Specifications

Choose an umbrella which best suits the size of your garden or patio

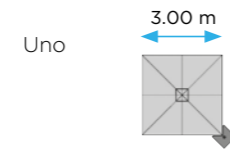
SQR



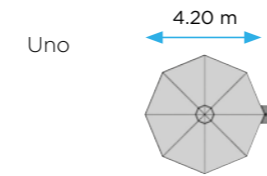
RND



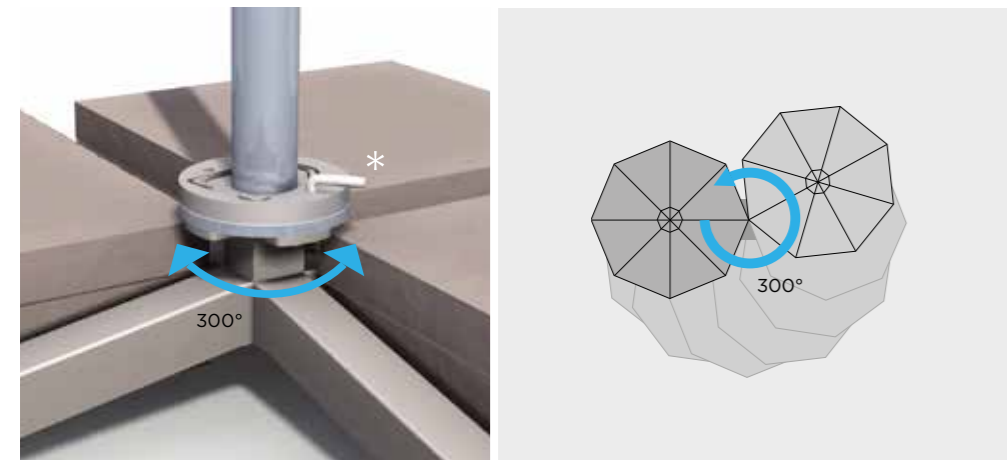
SQR XL



RND XL



The P7 rotates 300° to provide shade at each time of day

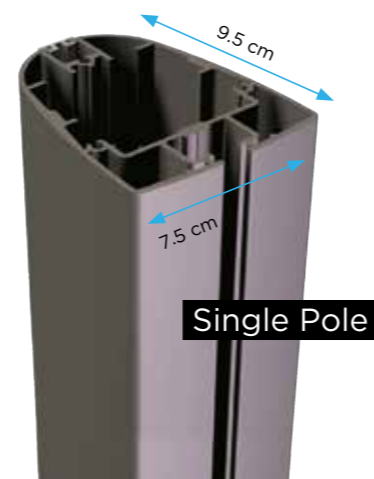


The integrated rotating element allows you to benefit from the shade at each time of day.

*The small axle locks the umbrella into place and prevents it from spinning with the wind.

Product video

Curious for more? Scan the QR code to view the product video on your smartphone or go to www.prostor.be.

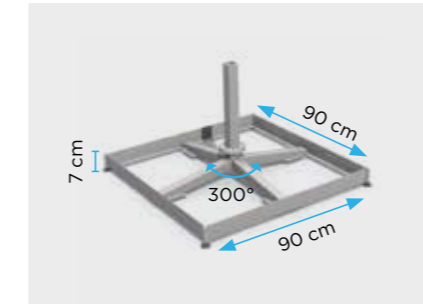


Single Pole

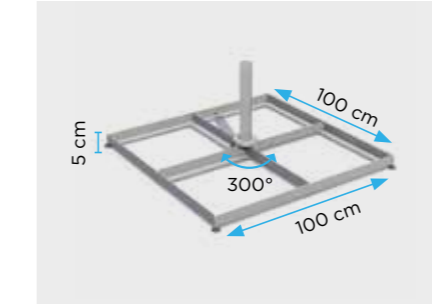
Fixation

Ground or wall fixation, according to your preference

GROUND



Steel base
With 8 tiles: 130 kg
With 12 tiles: 185 kg
Not suitable for the XL version
Does not include tiles

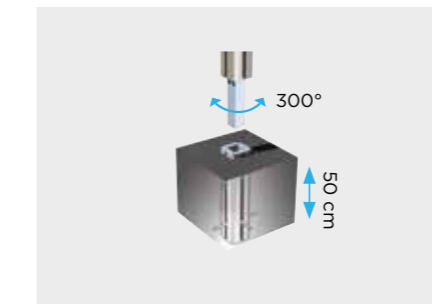


Steel base
With 4 tiles: 115 kg
With 8 tiles: 215 kg
Does not include tiles

OPTIONAL

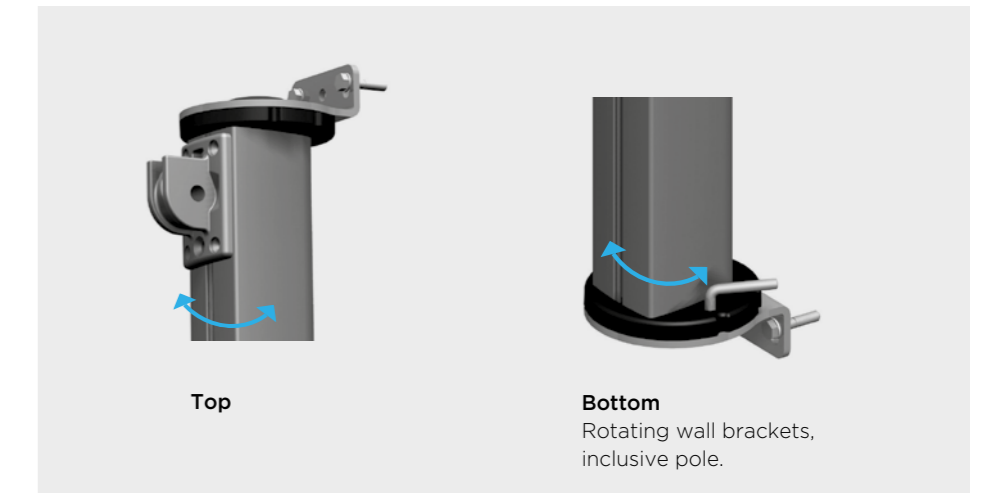
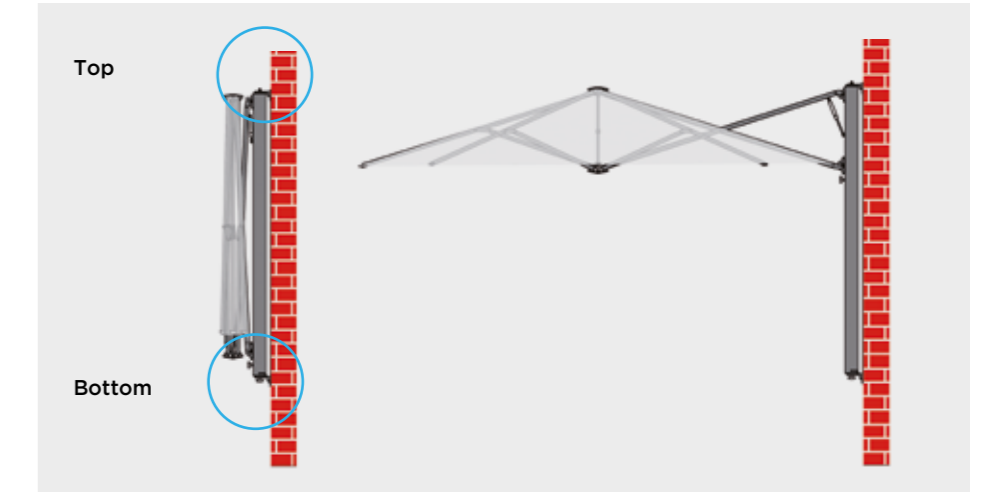


Stylish cover for steel base.



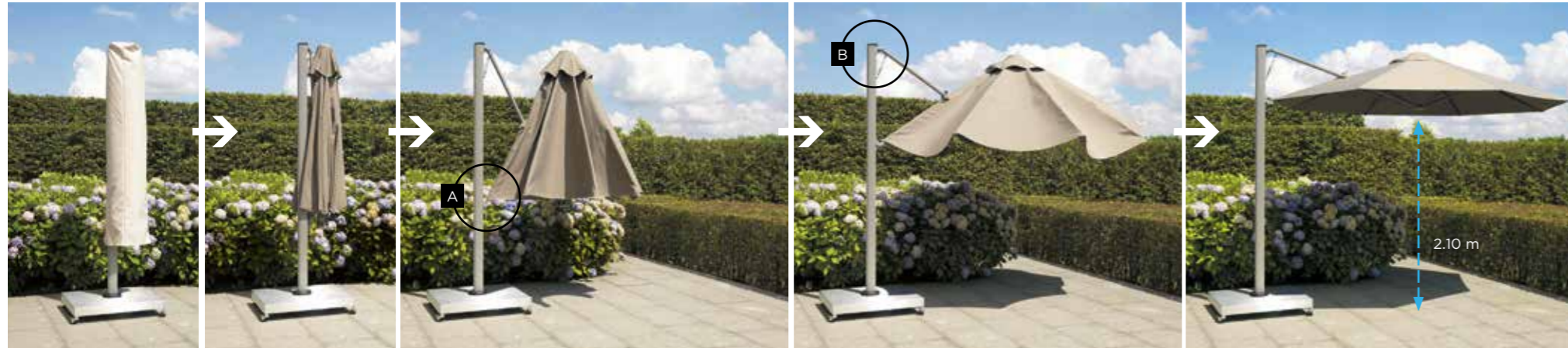
Ground anchor to secure into concrete, made from stainless steel and aluminium.

WALL



More info: see p. 13

Easy operation

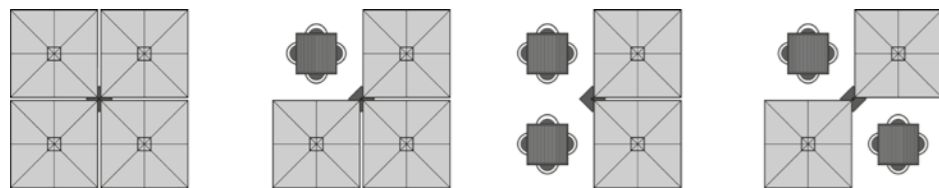


► No matter how strong and robust these umbrellas are, you don't have to be strong to operate them. The patented **One Move System** helps you to open or close the umbrella easily in one single movement. No need to move the table while closing or opening the umbrellas. The umbrella opens or closes above standard tables and chairs.

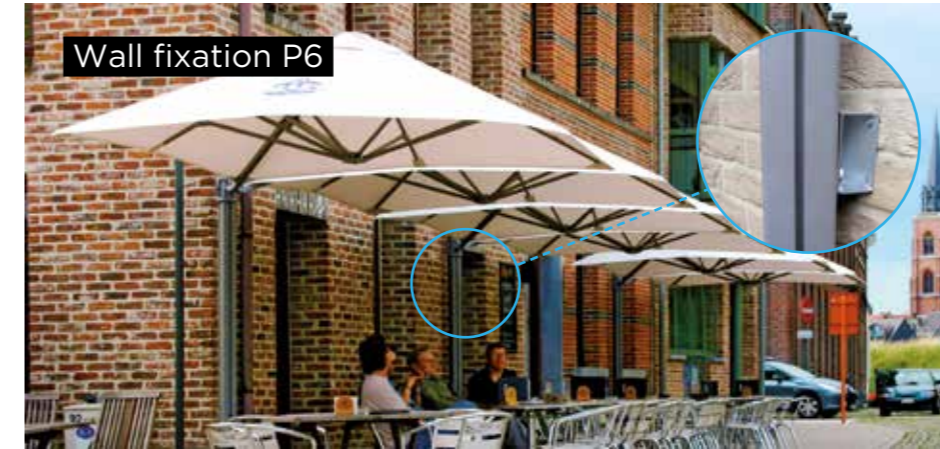
► The **newly designed gliding wagon** provides more strength and makes the operation much more easier thanks to the ergonomic rotary knob (see A).

► The umbrellas are ultra-light to handle, thanks to the **stainless steel gas spring**, which compensates the weight of the umbrella (see B).

► The P6 umbrella consists of 1, 2, 3 or 4 umbrellas on one pole. Each umbrella can be **operated separately**. You choose where you want shade or sun! This makes the P6 umbrella an ideal hospitality partner. For instance the following configurations are possible:

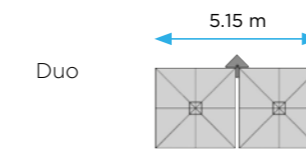
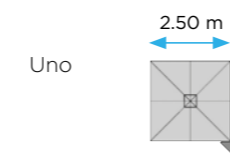


Wall fixation

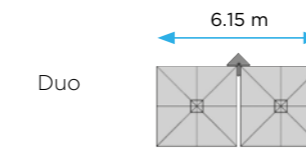
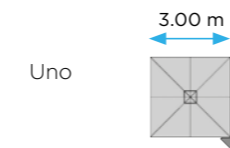


The P6 pole can be mounted on the wall easily with 2 brackets. This allows for sun protection without having the pole or steel base sit in the way. Not possible for the Round (RND) version.

SQR

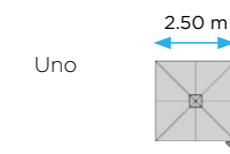


SQR XL

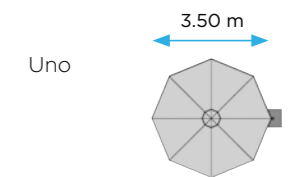


The P7 pole can also be fitted to the wall with two "rotating" brackets. By following the sun you can choose where you want shade easily, whatever the time of day. The P7 wall umbrella is designed to turn optimally when mounted on a corner. A small axle locks the umbrella into place and prevents it from spinning with the wind.

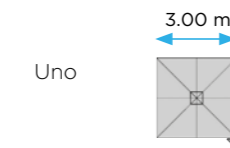
SQR



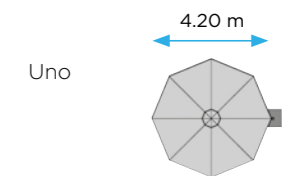
RND



SQR XL



RND XL





Finishing

Pole and frame

The **100% aluminium** pole and frame contains **5 decorative colours** according to 2 different processes: **Powder coating and Anodizing**.

The **powder-coated profiles** have a **textured finishing**. This makes them even more **scratch-resistant and maintenance-friendly**. The textured coating of the umbrella also offers an **unique look**. Our colour range includes **grey** (RAL 9007), **black** (RAL 9005) or **white** (RAL 9016).

Anodizing is the second process to provide aluminium profiles with colour. Typical for anodization is that the **original structure of the aluminium is retained**. The anodizing process ensures a **durable, corrosion-resistant and wear-resistant oxide layer**. Anodization is possible in **silver colour or copper colour**.



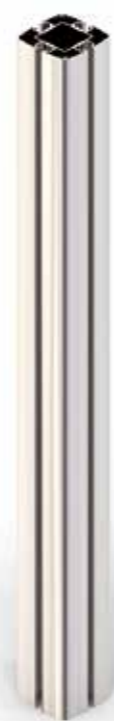
RAL 9007
Grey textured coating



RAL 9005
Black textured coating



RAL 9016
White textured coating



Polished
Silver tint anodization



Copper
Copper tint anodization

Fabric

A colourful range of choice for shedloads of shade fun

UV 95%

Natural White White Sand

UV 100%

Butter Cup Bitter Orange Terra Cotta

Paris Red Lead Grey Taupe

Carbon Grey Night Blue Black Widow

Olive Green

Fade resistant Water-repellent & Stain proof Mold resistant Easy care Protects from UV **WARRANTY 5 YEARS** Colour retention

Dickson Acryl: 100% solution-dyed
Weight: 290 g/m²
Colourfastness: 7-8/8 (Standard ISO 105 B04)
Waterproof: >300 mm water column
Maintenance: all fabrics can be washed and replaced



UV filter – enjoy the sun safely

DICKSON

UV 100%

UV 95%

RECOMMENDED SKIN CANCER FOUNDATION

CONFIDENCE IN TEXTILES
Tested for harmful substances according to Oeko-Tex® Standard 100 CO 63812 IFTH

- > Ozone layer depletion has caused a reduction in the filtering of ultraviolet rays. This, in turn, entails that prolonged, unprotected exposure to the sun poses increased health risks. All P6 and P7 fabrics have the capacity to significantly reduce the penetration of UV rays and offer you and your children the perfect protection from the harmful effects of sunrays (100% of UV rays are filtered out).
- The 2 lighter colours (White sand and Natural white) filter 95% of the UV's.
- > The Skin Cancer foundation recommends Dickson Acrylic as a part of your complete sun protection regime, including regular use of sunscreen.
- > This label certifies that the fabrics do not contain any toxic substances and do not present any health, skin or environmental hazards (Oeko-Tex 100).



Accessories

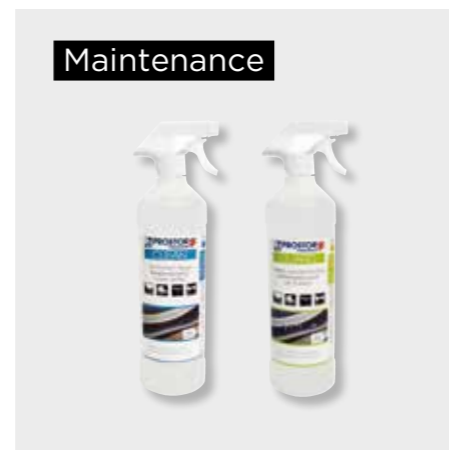
Protection, ease and maintenance



The deluxe watertight protection cover protects your umbrella from any and all weather conditions. The cover is made from grey or black solution-dyed polyester fabric.



Connecting several umbrellas is easy by using rain gutters with zippers.



Prostor CLEAN

- > powerful stain remover
- > cleans intensely
- > removes stains and odours from the umbrella fabric

Prostor GUARD

- > protects against stains and pollution
- > colourless
- > restores water-repellent effect on the umbrella fabric



The Prostor Repair kit is a unique transparent repair patch for repairing tears and holes in acrylic and polyester fabrics. It is extremely strong and very elastic. The Repair kit is a permanent solution for your umbrella fabric, allowing you to enjoy your umbrella even longer.

- > Extremely strong
- > Watertight
- > Airtight
- > Very elastic
- > Does not fade
- > Does not dry out



The canopy can be printed with text and/or logo.



Move your umbrella effortlessly thanks to caster wheels with brakes. Only for the P6 or P7 UNO umbrellas (max. weight capacity for 4 wheels: 320 kg).

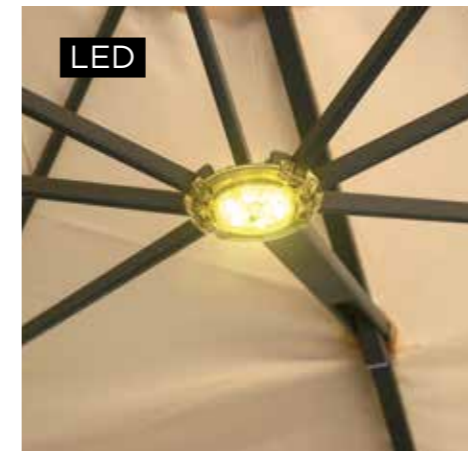
Accessories

LED lighting

When the sun goes down and dusk sets in, Power-LED lighting adds a new, intimately cozy dimension to your umbrella, allowing you to stay put and enjoy the day that little bit longer. The LEDs are installed at the center of the umbrella, with all wiring and steering hidden neatly in the frame and pole.



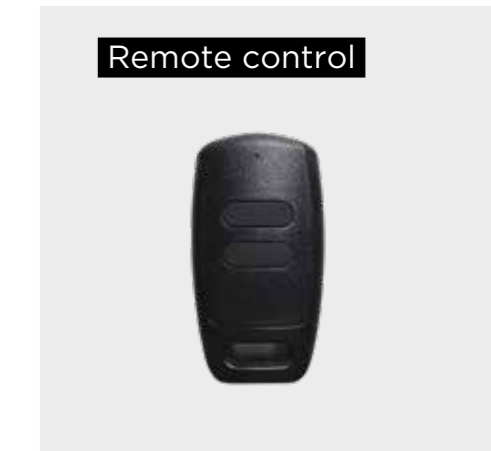
NEW DIMMABLE



The new 24V LEDs are fully integrated in the umbrella and can, from now on, also be completely dimmed.



Not only the cabling has been completely incorporated, but also the control and the dimmer module are now nicely stored in the post.

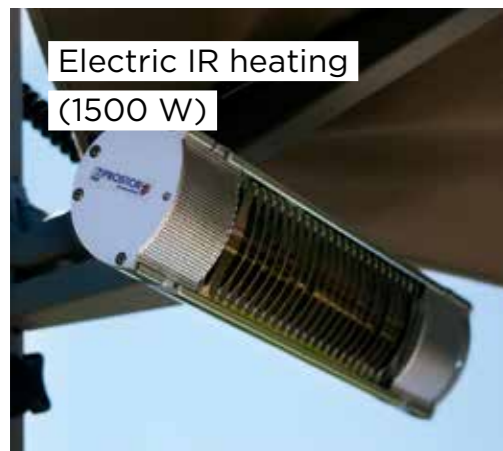


A simple press on the remote control turns the light on or off. If you keep pressing, the light intensity will increase or decrease.



Accessories

Heating and motor



Electric IR heating
(1500 W)

IP X5: completely protected against rain and waterspray.



Up to 4 heaters can be mounted on one pole.



The heater doesn't have to be removed when closing the umbrella.



Single or double sockets can be mounted onto the pole.



Motor



Prostor makes your life more comfortable! From now on the Prostor P6 can be opened and closed by means of one integrated motor, operating all umbrellas simultaneously.
*Only available for the P6 Quattro



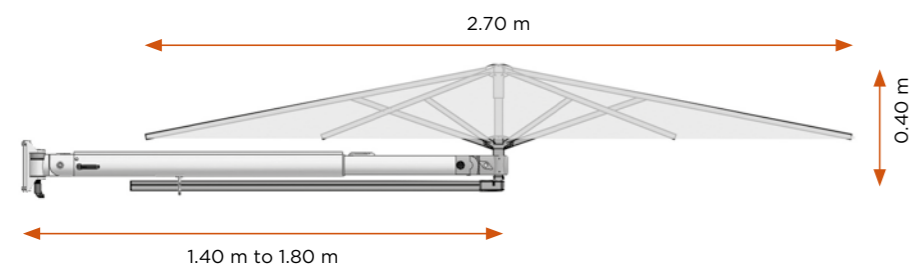
TELESCOPIC ARM UMBRELLA

Prostor P3
Prostor P4

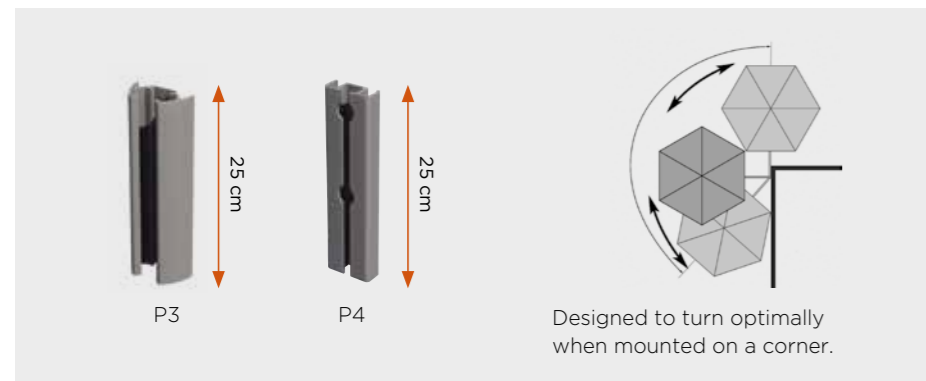
Patented 'Easy Opening System'
Telescopic arm 1,40 m up to 1,80 m
Can swing horizontally
Umbrella can tilt 10°

Specifications and fixation

DIMENSIONS



FIXATION / WALL BRACKET



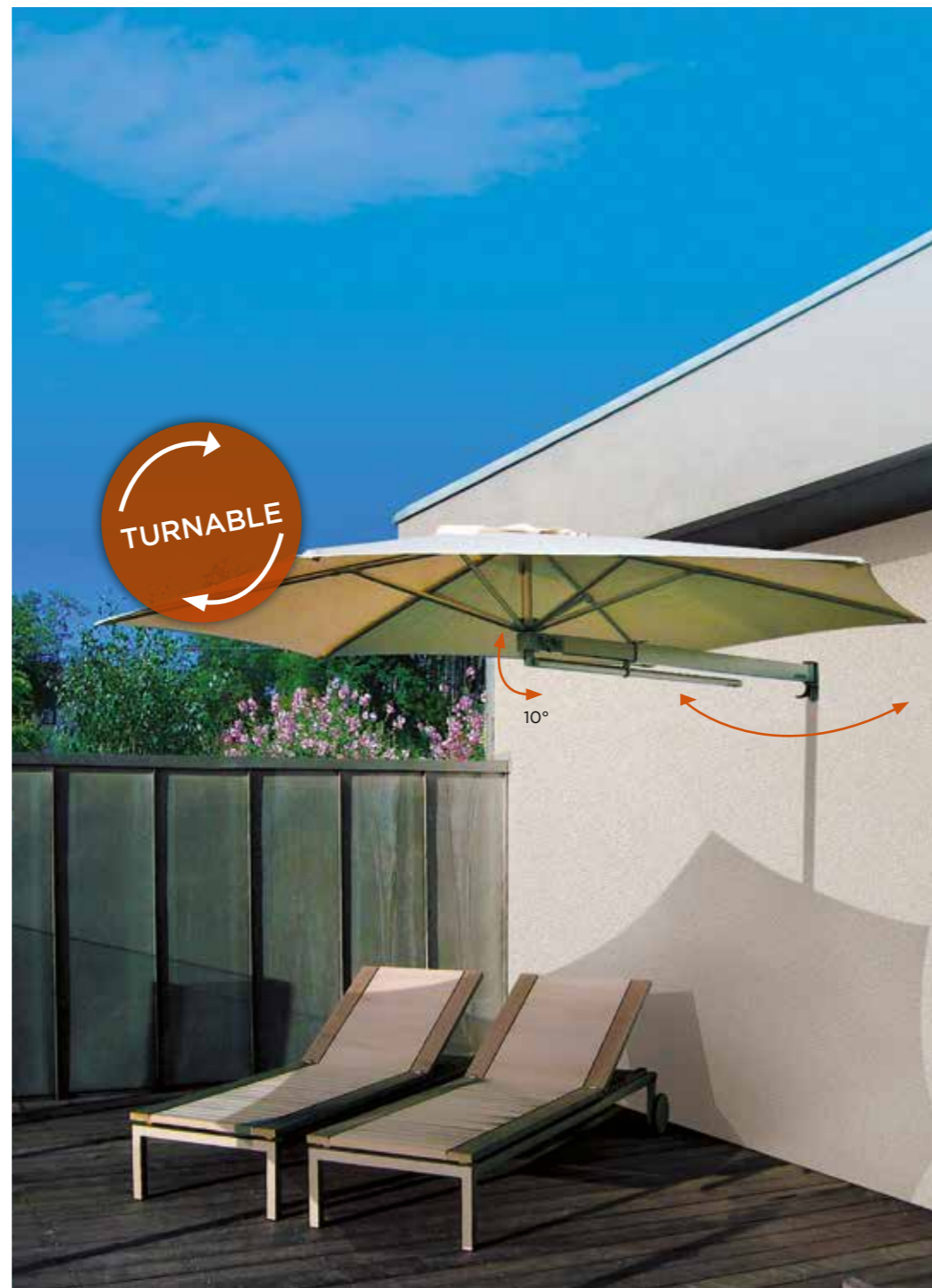
Prostor P3



Prostor P4

Product video

Curious for more? Scan the QR code to view the product video on your smartphone or go to www.prostor.be.



User-friendly and easy operation

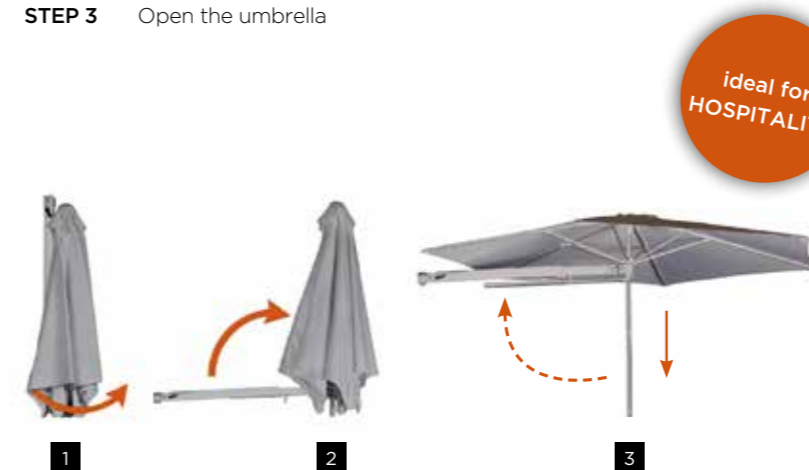
P3 STRONG AND REMOVABLE!

- Can be easily removed from the wall bracket
- Can be locked in horizontal or vertical position
- Ideal for professional use (hotel, pub, restaurant,...)
- Weight of the arm: 4 kg

STEP 1 Bring the arm horizontal (90°)

STEP 2 Unfold the umbrella

STEP 3 Open the umbrella



P4 - EXTRA STEP TO IMPROVE YOUR COMFORT!

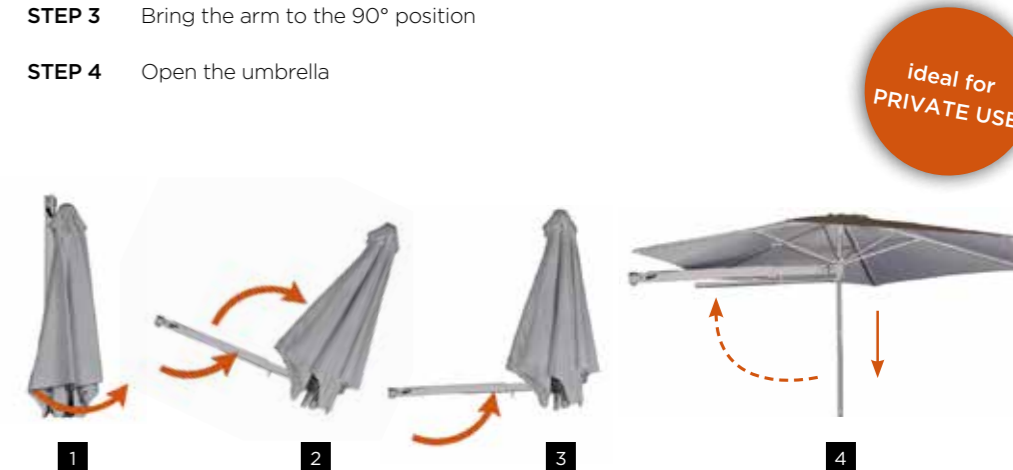
- User-friendly
- Can be locked in horizontal or vertical position or even at a 45° angle
- Standard with integrated gas spring to compensate the weight
- Weight of the arm: 4.75 kg

STEP 1 Bring the arm to the 45° position

STEP 2 Unfold the umbrella

STEP 3 Bring the arm to the 90° position

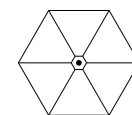
STEP 4 Open the umbrella



FABRIC

Add colour to your place in the shade

UV 97%



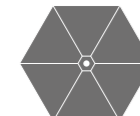
Natural White



White Sand



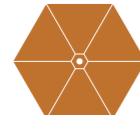
Butter Cup



Platinum Grey



Black Widow



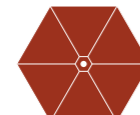
Bitter Orange



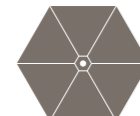
Carbon Grey



Leaf Green



Terra Cotta



Taupe



Traffic Red



Denim Blue

UV 97%



Fade resistant



Water-repellent & Stain proof



Mold resistant



Easy care



Protects from UV



WARRANTY 5 YEARS Colour retention

100% Olefin 'COSLAN': solution-dyed

Weight: 190 g/m2

Colourfastness: 7-8/8

Waterproof

UPF 40+: filters more than 97% of the UV rays

Maintenance: all fabrics can be washed and replaced.

Arm and frame have a stylish finishing in anodised aluminium.



100% recyclable



Accessories

Protection cover

Protection cover for 1 umbrella, allowing you to enjoy it even longer.



Standard

Center Pole Umbrella

Prostor P50



Elegant and modern design

Light and easy to use

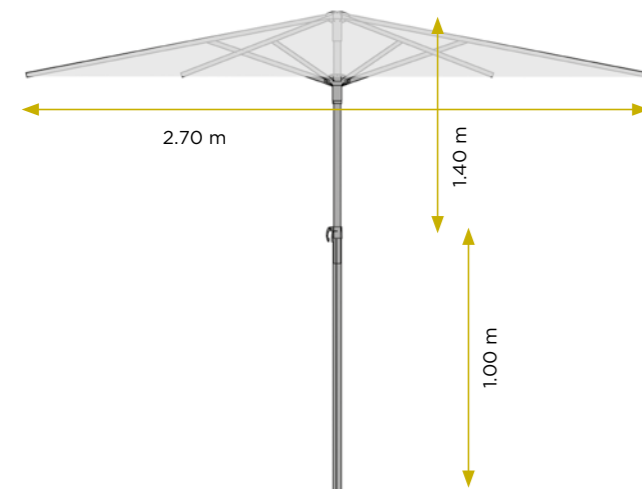
Perfect match with the P3 and P4 umbrellas

Standard supplied with an extension tube of 1m



Specifications, fixation and accessories

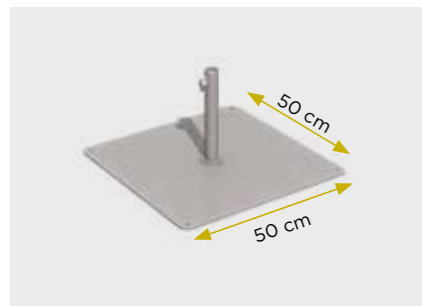
DIMENSIONS



COLOURS

See page 22

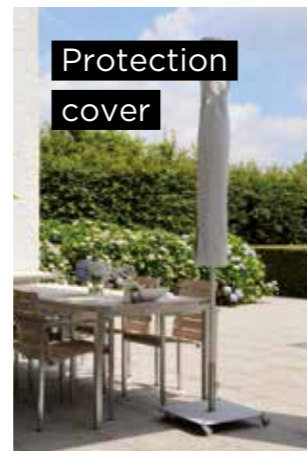
FIXATION



Floorplate
warm galvanised, 18 kg



Aluminium base
coated aluminium cover to fill up with sand: 25 kg.



Protection cover

Comes with a polyester protection cover for durable use of your umbrella as standard.



Swivel wheels

Swivel wheels with or without brakes, enabling you to move your umbrella effortlessly.



P50



Product video

Curious for more? Scan the QR code to view the product video on your smartphone or go to www.prostor.be.

Windscreen

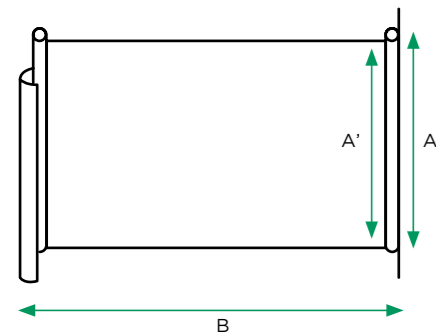
Prostor Windblocker



- Enjoy the sun, protected from the wind
- Very easy to install
- Support wheel improves user-friendliness
- Lock prevents unwanted unwinding of the fabric
- Perfect fabric tension thanks to integrated spring

Specifications and colours

DIMENSIONS



A: Box height Custom-made
 > Acrylic fabric: 1.27m - 2.00m
 > Soltis fabric: 1.27m - 1.86m

A': Fabric height Fabric height (A) - 7cm

B: Projection 2m, 3m or 4m

COLOURS

FABRIC

- > **Dickson Acrylic:** solution-dyed
Colours: see p. 15 or request other colours.
Weight: 295 g/m²
Colourfastness: 7-8/8 (ISO 105B02 - ISO 105B04)
Waterproof: >350 mm water column
 All acrylic fabrics have a horizontal seam down the middle to provide extra reinforcement to your windbreak
- > **Soltis 86:** screen fabric
Colours: by request.
Weight: 380 g/m²
 The Soltis fabric has no horizontal seam.

PROFILES

Standard colour: all profiles are 100% aluminium, in solid white texture coating (RAL 9016). Other RAL colours available at extra cost.



Fixation and characteristics

GROUND



The elegant box is easily hooked up with the two supplied hooks. Can be taken off in one movement (theft prevention).

OPTIONAL



Ground anchor provides extra anchoring.

GROUND

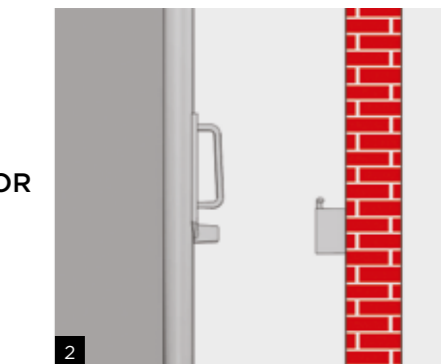


Fixing the fabric. The floorplate with pole is chemically anchored into the ground...



Support wheel. Improved ease of use for manual operation thanks to guiding support wheel.

WALL



... or 2 wall brackets hold the fabric.



Locking. Locking the Windblocker guarantees carefree enjoyment by preventing the fabric from unrolling when the wind is variable.



PERGOLA

Prostor Cabana



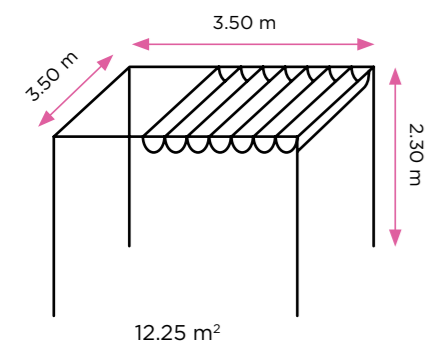
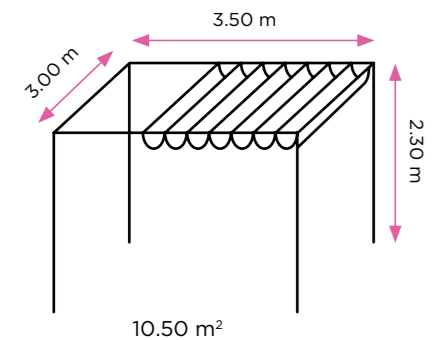
- Extra living space on your patio
- Offers protection from both sun and rain
- Sliding roof with feather-light manual operation
- Very easy installation



Specifications and colours

the shade solution for that blissful holiday feeling

DIMENSIONS



COLOURS

FABRIC

Thanks to the superior quality of the PVC fabric, you can enjoy your Cabana in any weather (offers both shelter from the sun and the rain).

100% Polyester: 550 dtex

Colour: white

Weight: 650gr/m²

Colourfastness: 7-8/8 (DIN 53388)

Waterproof

Maintenance: the fabric is easily washable for even greater ease of use.

PROFILES

Standard colour: all profiles are 100% extruded aluminium with a solid white textured powder coating (RAL 9016).



Product video

Curious for more? Scan the QR code to view the product video on your smartphone or go to www.prostor.be.



Fixation and characteristics



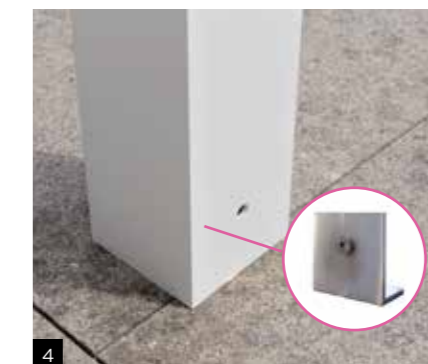
Sliding roof: stylish sliding roof with PVC fabric which can be slide open and closed effortlessly.



Smart closing system



No visible screws for an even nicer finish.



Fixation: the L-profile inside the pole anchors the Cabana to the ground (standard).



Roofcover: protects your Cabana's PVC fabric against rain, dirt and dust.



Gallery Hospitality & Cities

Get inspired by our realizations



Gallery Pools & Private

Get inspired by our realizations





Gallery Specials & Accessories

Get inspired by our realizations



The Company

Embrace the sun with our smart solutions for your patio



There is nothing more glorious than enjoying that good old sun on a radiant day. Or looking for shelter and refreshment in the shade when the sun starts shining too brightly. It's the perfect spot for reading a book, blissfully watching your kids playing or enjoying a tasty aperitif or a wonderful meal... Prostor takes pride in making that little place in the shade as stylish and functional as possible.

There's always a solution to suit your needs

As an expert in the development and sales of innovative sunshade systems, pergolas and windbreaks, Prostor offers a range of solutions to suit both smaller and larger patios, ensuring optimal usage of available space. Prostor products are available for private customers as well as professional projects, and cover both the middle and top segments. Always guaranteeing the same impeccable quality, naturally!

Nice to look at, easy to use

That excellence is combined with a stylish design and user-friendly functionality. So you can effortlessly enjoy your Prostor umbrella, pergola or windshield. The combination of high quality aluminium and superior quality cloth guarantee a sustainable and smart solution for your garden or patio.

Belgian quality, excellent service

The Brutsaert family - who is the driving force behind both Brustor and Prostor - has over 35 years of experience in sun protection. By constantly keeping a finger on the pulse of the latest trends and technologies, and offering excellent service to boot, we realize our ambition and daily motivation: the satisfaction of our customers. They can count on first-rate quality products made entirely in Belgium by an experienced and knowledgeable team. Our sales service runs through a dealer and distributor network with an in-depth knowledge of the market.

Follow us

